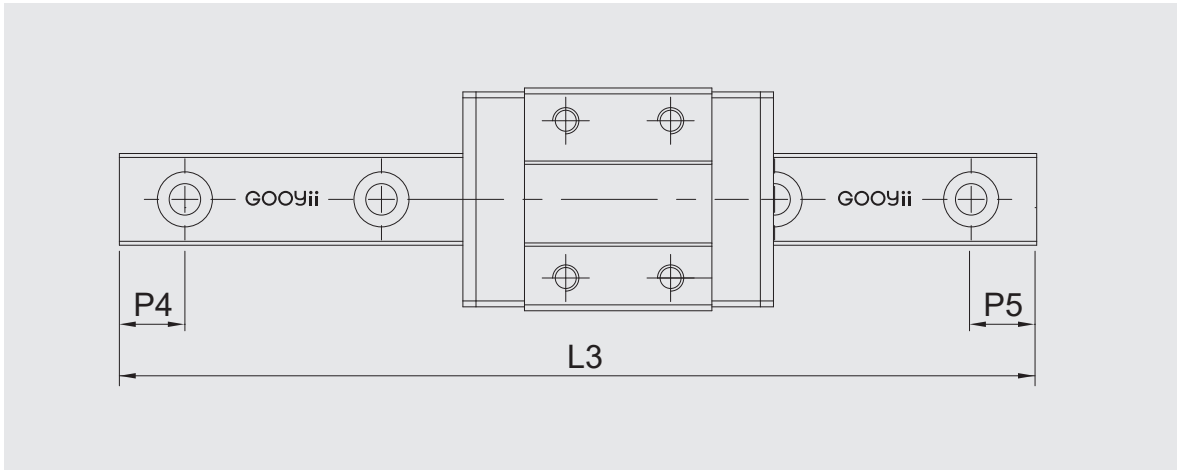


End Pitch & Rail Length

End Pitch & Rail Length

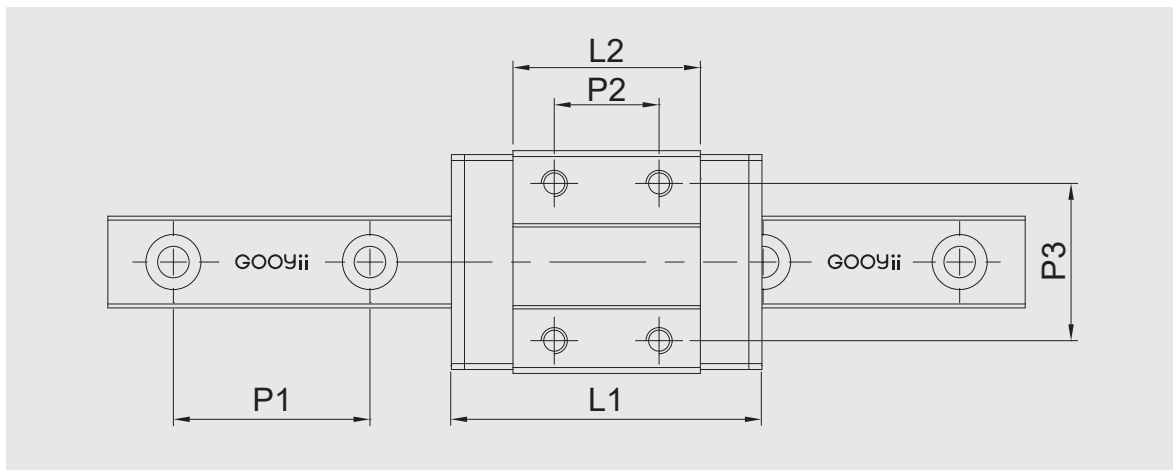


Unit : mm

| Specifications | GSN | | | | | GSW | | | | | |
|--------------------------|------|------|------|------|------|------|------|------|------|------|-----|
| | 5N | 7N | 9N | 12N | 15N | 5W | 7W | 9W | 12W | 15W | |
| Standard Length | 40 | 40 | 55 | 70 | 70 | 50 | 50 | 50 | 70 | 110 | |
| | 55 | 55 | 75 | 95 | 110 | 70 | 80 | 80 | 110 | 150 | |
| | 70 | 70 | 95 | 120 | 150 | 90 | 110 | 110 | 150 | 190 | |
| | 85 | 85 | 115 | 145 | 190 | 110 | 140 | 140 | 190 | 230 | |
| | 100 | 100 | 135 | 170 | 230 | 130 | 170 | 170 | 230 | 270 | |
| | N/A | N/A | 130 | 155 | 195 | 270 | 150 | 200 | 200 | 270 | 310 |
| | | | N/A | 175 | 220 | 310 | 170 | 260 | 260 | 310 | 430 |
| | | | | 195 | 245 | 350 | N/A | 290 | 290 | 390 | 550 |
| | | | | 275 | 270 | 390 | | N/A | 320 | 470 | 670 |
| | | | | 375 | 320 | 430 | | | 550 | 790 | |
| | | | N/A | N/A | 370 | 470 | N/A | N/A | N/A | N/A | N/A |
| | | | | | 470 | 550 | | | | | |
| | | | | | 570 | 670 | | | | | |
| | N/A | N/A | N/A | 870 | N/A | N/A | N/A | N/A | N/A | | |
| | | | | | | | | | | | |
| Pitch | 15 | 15 | 20 | 25 | 40 | 20 | 30 | 30 | 40 | 40 | |
| Standard End Pitch(P4) | 3 | 3 | 4 | 4 | 4 | 4 | 3 | 4 | 4 | 4 | |
| Standard End Pitch (P5) | 3 | 3 | 4 | 4 | 4 | 4 | 3 | 4 | 4 | 4 | |
| Available Max. End Pitch | 10 | 10 | 20 | 20 | 35 | 15 | 25 | 25 | 35 | 35 | |
| Max. Rail Length | 1000 | 1000 | 1000 | 1000 | 1000 | 1000 | 1000 | 1000 | 1000 | 1000 | |

Standard Width Type

Standard Width Type

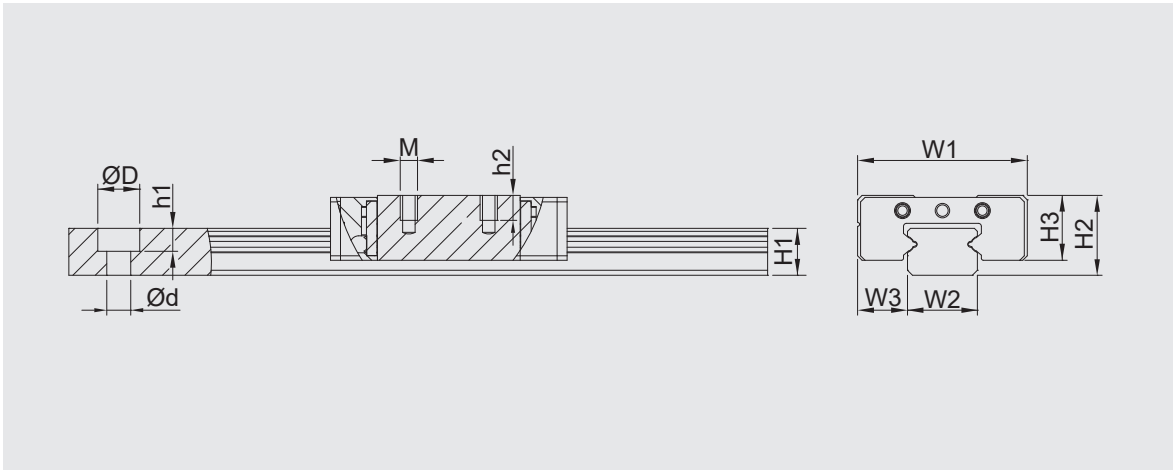


| Model No. | Assembled Dimensions | | Rail Dimensions | | | | Block Dimensions | | | |
|------------|----------------------|-----|-----------------|-----|----|-------------|------------------|------|------|-----|
| | H2 | W3 | W2 | H1 | P1 | ØDxØdxh1 | W1 | L1 | L2 | H3 |
| GOOS05-N-N | 6 | 3.5 | 5 | 3.5 | 15 | 3.5x2.4x1 | 12 | 16 | 10 | 4.5 |
| GOOS05-N-L | 6 | 3.5 | 5 | 3.5 | 15 | 3.5x2.4x1 | 12 | 19.6 | 13.5 | 4.5 |
| GOOS07-N-N | 8 | 5 | 7 | 4.7 | 15 | 4.2x2.4x2.3 | 17 | 23.7 | 14.3 | 6.5 |
| GOOS07-N-L | 8 | 5 | 7 | 4.7 | 15 | 4.2x2.4x2.3 | 17 | 31.2 | 21.8 | 6.5 |
| GOOS09-N-N | 10 | 5.5 | 9 | 5.5 | 20 | 6x3.5x3.5 | 20 | 30.6 | 20.5 | 7.8 |
| GOOS09-N-L | 10 | 5.5 | 9 | 5.5 | 20 | 6x3.5x3.5 | 20 | 40.9 | 30.8 | 7.8 |
| GOOS12-N-N | 13 | 7.5 | 12 | 7.5 | 25 | 6x3.5x4.5 | 27 | 35.4 | 22 | 10 |
| GOOS12-N-L | 13 | 7.5 | 12 | 7.5 | 25 | 6x3.5x4.5 | 27 | 47.6 | 34 | 10 |
| GOOS15-N-N | 16 | 8.5 | 15 | 9.5 | 40 | 6x3.5x4.5 | 32 | 43 | 27 | 12 |
| GOOS15-N-L | 16 | 8.5 | 15 | 9.5 | 40 | 6x3.5x4.5 | 32 | 60 | 44 | 12 |

© Plug thickness 1.5 mm of each is not included in block length L1.

Standard Width Type

Standard Width Type

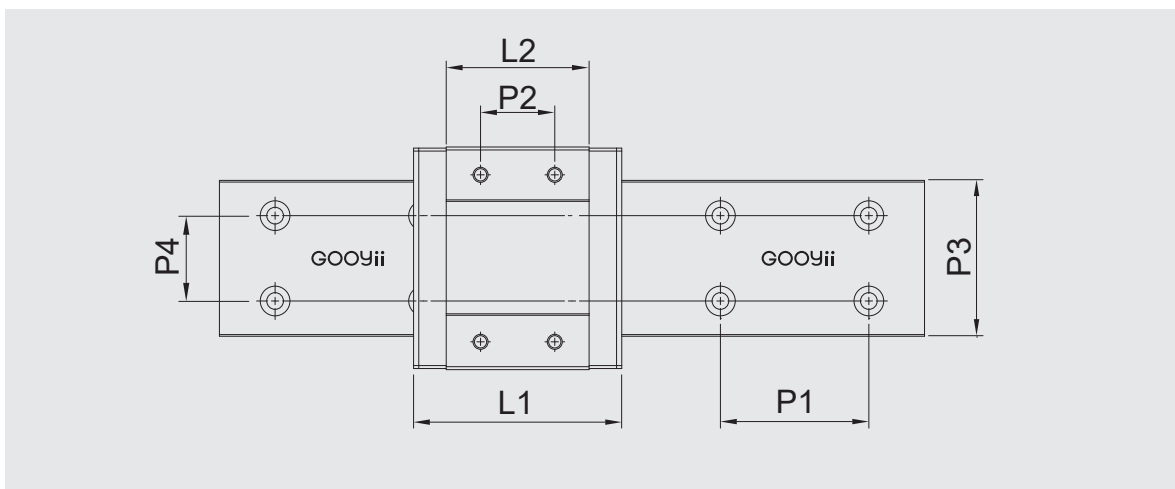
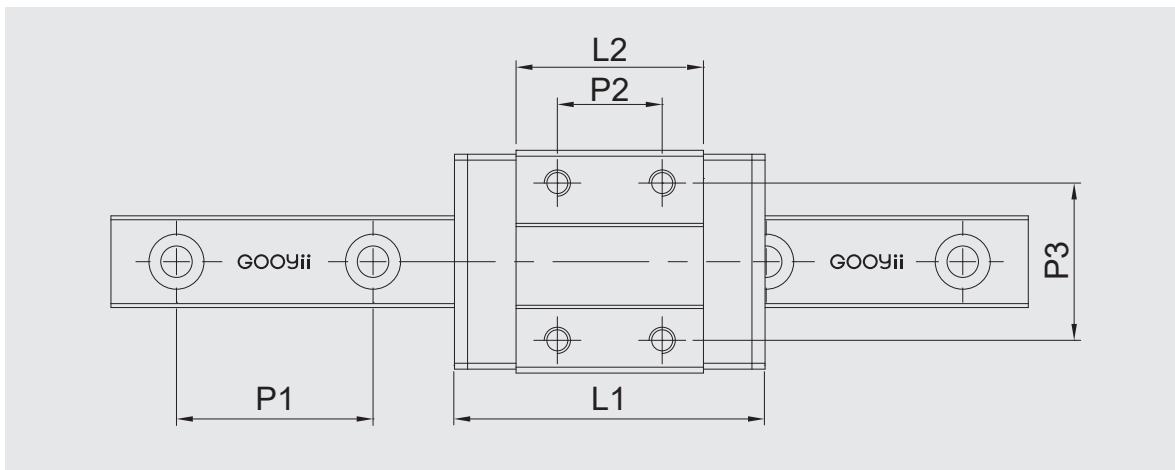


| Model No. | Block Dimensions | | | Rated Loading | | Static Torque | | | Weight | |
|------------|------------------|----|----------|---------------|------|----------------|----------------|----------------|--------|------|
| | P2 | P3 | Mxh2 | C | C0 | M _R | M _P | M _Y | Block | Rail |
| GOOS05-N-N | - | 8 | M2x1.5 | 318 | 523 | 1.6 | 1.0 | 1.0 | 3 | 114 |
| GOOS05-N-L | 7 | - | M2.6x2.0 | 447 | 855 | 2.3 | 2.0 | 2.0 | 4 | 114 |
| GOOS07-N-N | 8 | 12 | M2x2.5 | 846 | 1330 | 4.9 | 3.1 | 3.1 | 8 | 211 |
| GOOS07-N-L | 13 | 12 | M2x2.5 | 1245 | 2318 | 8.6 | 7.3 | 7.3 | 14 | 211 |
| GOOS09-N-N | 10 | 15 | M3x3.0 | 1492 | 2370 | 11.1 | 6.1 | 6.1 | 18 | 295 |
| GOOS09-N-L | 16 | 15 | M3x3.0 | 2028 | 3686 | 17.3 | 11.8 | 11.8 | 27 | 295 |
| GOOS12-N-N | 15 | 20 | M3x3.5 | 2193 | 3292 | 20.4 | 12.3 | 12.3 | 33 | 590 |
| GOOS12-N-L | 20 | 20 | M3x3.5 | 3078 | 5349 | 33.2 | 28.7 | 28.7 | 50 | 590 |
| GOOS15-N-N | 20 | 25 | M3x5.5 | 3620 | 5311 | 41.4 | 25.7 | 25.7 | 60 | 911 |
| GOOS15-N-L | 25 | 25 | M3x5.5 | 5083 | 8626 | 66.5 | 60.1 | 60.1 | 88 | 911 |

© Plug thickness 1.5 mm of each is not included in block length L1.

Wide Rail Type

Wide Rail Type



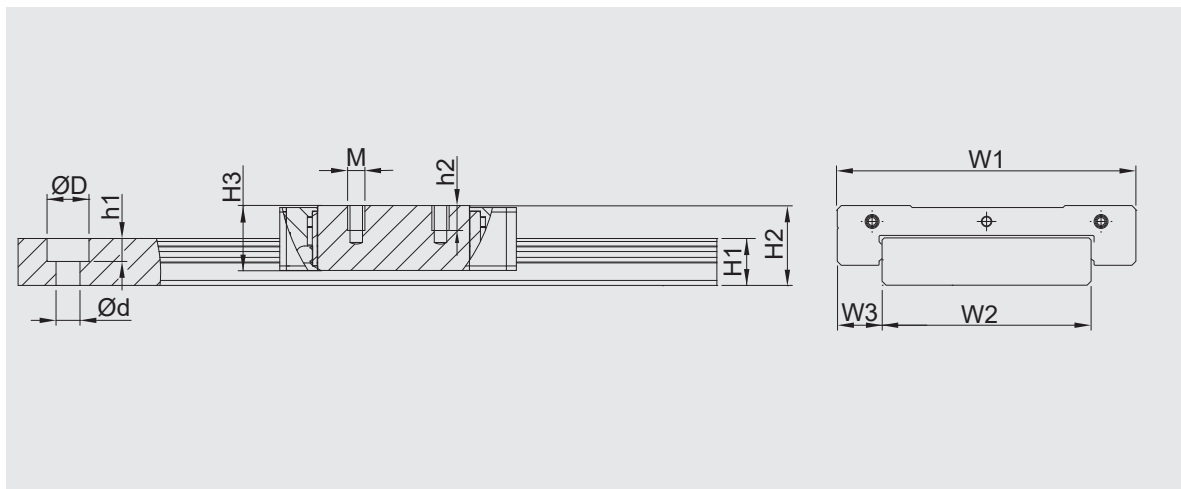
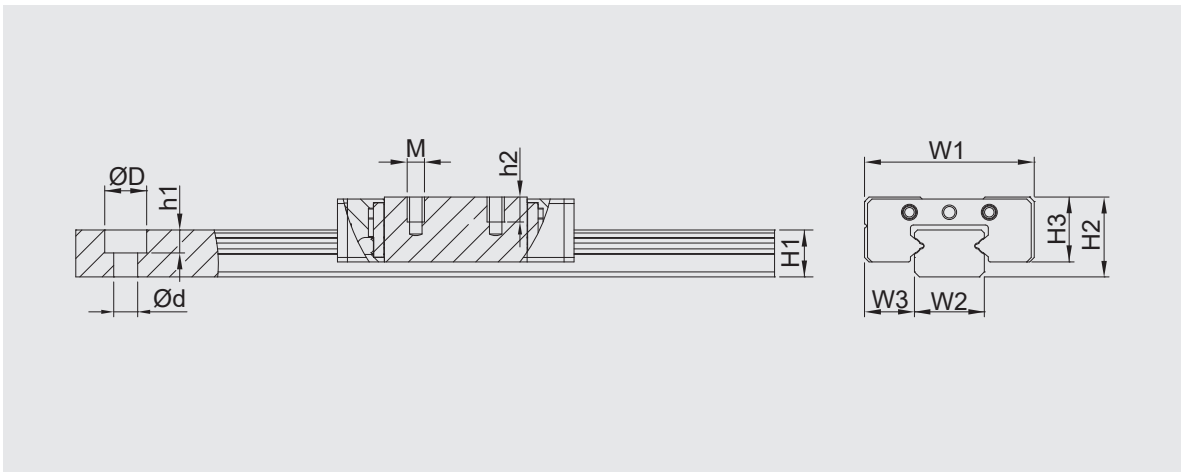
◎ Dimension P4 is referred to GOOS15-W-N / GOOS15-W-L models.

| Model No. | Assembled Dimensions | | Rail Dimensions | | | | Block Dimensions | | | | | |
|------------|----------------------|-----|-----------------|-----|----|----|------------------|-----------|------|------|------|----|
| | H2 | W3 | W2 | H1 | P1 | P4 | ØDxØdxh1 | W1 | L1 | L2 | H3 | |
| GOOS05-W-N | 6.5 | 3.5 | 10 | 4 | 20 | - | 5.5x3x1.6 | 17 | 21.1 | 15.1 | 5 | |
| GOOS05-W-L | 6.5 | 3.5 | 10 | 4 | 20 | | 5.5x3x1.6 | 17 | 27.2 | 21.2 | 5 | |
| GOOS07-W-N | 9 | 5.5 | 14 | 5.2 | 30 | | 6x3.5x3.5 | 25 | 31.6 | 21.2 | 7 | |
| GOOS07-W-L | 9 | 5.5 | 14 | 5.2 | 30 | | 6x3.5x3.5 | 25 | 40.5 | 30.1 | 7 | |
| GOOS09-W-N | 12 | 6 | 18 | 7.3 | 30 | | 6x3.5x4.5 | 30 | 39.1 | 27.9 | 8.6 | |
| GOOS09-W-L | 12 | 6 | 18 | 7.3 | 30 | | 6x3.5x4.5 | 30 | 50.7 | 39.5 | 8.6 | |
| GOOS12-W-N | 14 | 8 | 24 | 8.5 | 40 | | 8x4.5x4.5 | 40 | 44.4 | 31 | 10.1 | |
| GOOS12-W-L | 14 | 8 | 24 | 8.5 | 40 | | 8x4.5x4.5 | 40 | 59.4 | 46 | 10.1 | |
| GOOS15-W-N | 16 | 9 | 42 | 9.5 | 40 | | 23 | 8x4.5x4.5 | 60 | 55.3 | 38.5 | 12 |
| GOOS15-W-L | 16 | 9 | 42 | 9.5 | 40 | | 23 | 8x4.5x4.5 | 60 | 74.4 | 57.6 | 12 |

◎ Plug thickness 1.5 mm of each is not included in block length L1.

Wide Rail Type

Wide Rail Type



© Dimension P4 is referred to GOOS15-W-N / GOOS15-W-L models.

| Model No. | Block Dimensions | | | Rated Loading | | Static Torque | | | Weight | |
|------------|------------------|----|----------|---------------|-------|---------------|-------|-------|--------|------|
| | P2 | P3 | Mxh2 | C | C0 | M_R | M_P | M_Y | Block | Rail |
| GOOS05-W-N | 6.5 | 13 | M2.5x1.5 | 451 | 855 | 4.4 | 2.1 | 2.1 | 6 | 274 |
| GOOS05-W-L | 11 | 13 | M2.5x1.5 | 584 | 1249 | 6.5 | 3.9 | 3.9 | 8 | 274 |
| GOOS07-W-N | 10 | 19 | M3x3 | 1121 | 1990 | 14.3 | 6.9 | 6.9 | 19 | 506 |
| GOOS07-W-L | 19 | 19 | M3x3 | 1492 | 2983 | 21.5 | 14.2 | 14.2 | 26 | 506 |
| GOOS09-W-N | 12 | 21 | M3x3 | 1929 | 3425 | 31.5 | 13.0 | 13.0 | 36 | 921 |
| GOOS09-W-L | 24 | 23 | M3x3 | 2423 | 4741 | 43.6 | 25.4 | 25.4 | 50 | 921 |
| GOOS12-W-N | 15 | 28 | M3x3.5 | 2912 | 4940 | 60.5 | 25.0 | 25.0 | 64 | 1443 |
| GOOS12-W-L | 28 | 28 | M3x3.5 | 3867 | 7410 | 90.8 | 53.6 | 53.6 | 91 | 1443 |
| GOOS15-W-N | 20 | 45 | M4x4.5 | 4812 | 7966 | 163.1 | 43.4 | 43.4 | 134 | 2762 |
| GOOS15-W-L | 35 | 45 | M4x4.5 | 6389 | 11951 | 244.7 | 88.4 | 88.4 | 196 | 2762 |

© Plug thickness 1.5 mm of each is not included in block length L1.